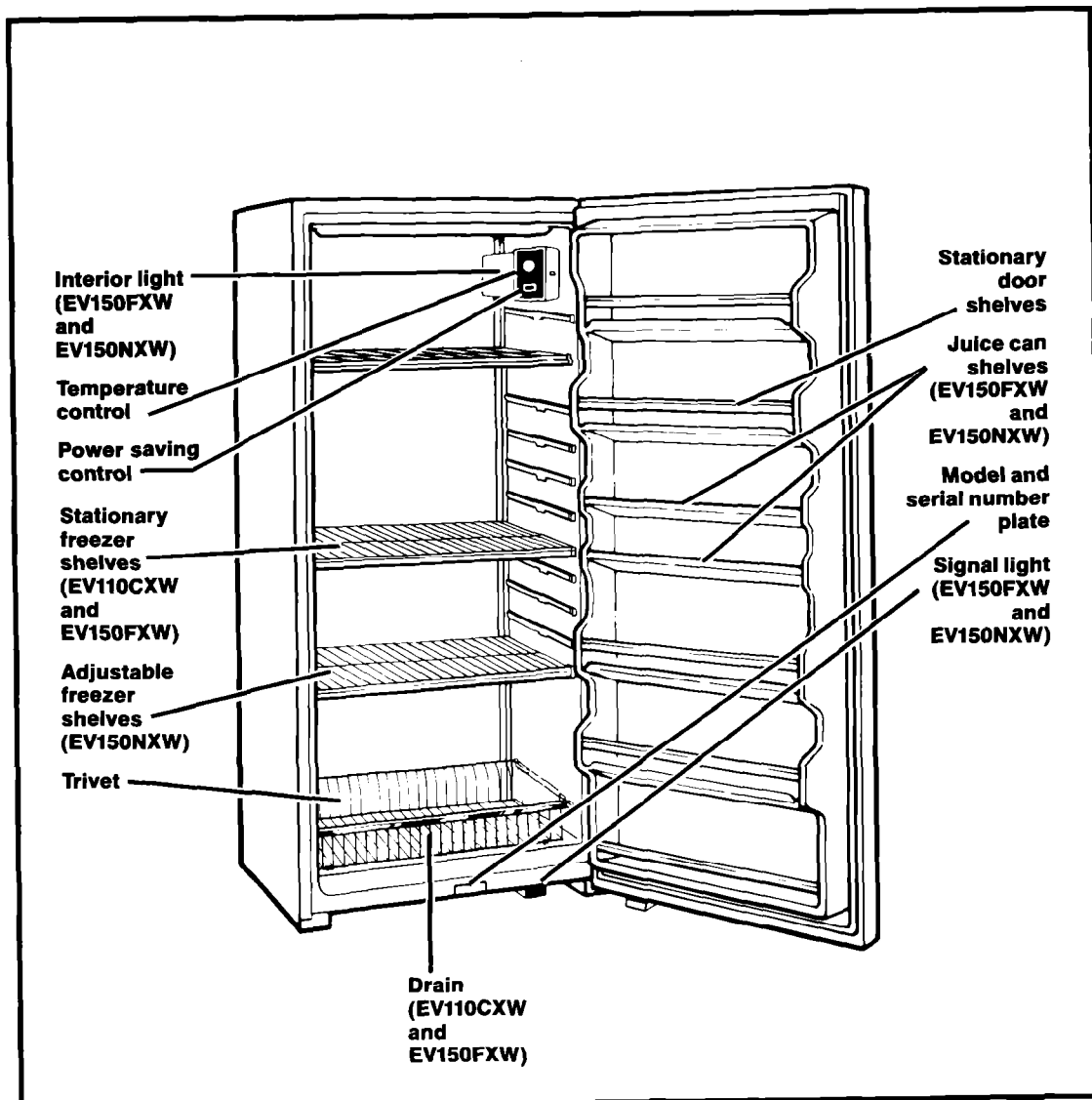




# Use & Care Guide



**UPRIGHT FREEZERS**  
**EV110CXW EV150FXW EV150NXW**

# Contents

	Page
<b>Important Safety Instructions</b> .....	3
<b>Cleaning Your Freezer</b> .....	3
<b>Installing Your Freezer</b> .....	4
<b>Using Your Freezer</b> .....	5
Setting the temperature control .....	5
Adjusting the temperature control .....	5
Cooling freezer first .....	5
The power saving control .....	5
The trivet .....	5
The interior light .....	6
The signal light .....	6
<b>If You Need Service or Assistance</b> .....	7
<b>Whirlpool Domestic Freezer Warranty</b> .....	8

©1989 Whirlpool Corporation

Remove the Consumer Buy Guide Label, tape and any inside labels before using the freezer.

**To remove any remaining glue:**

- Rub briskly with thumb to make a ball then remove.

**OR**

- Soak area with liquid hand dishwashing detergent before removing glue as described above.

Do not use rubbing alcohol or flammable or toxic solvents, such as acetone, gasoline, carbon tetrachloride, etc. These can damage the material.

**NOTE:** Do not remove the Tech Sheet fastened under the freezer at the front.

**Thank you for buying a Whirlpool appliance. Please complete and mail the Owner Registration Card provided with this product.** Then complete the form below. Have this information ready if you need service or call with a question.

- Copy model and serial numbers from plate (see diagram on front cover) and purchase date from sales slip.
- Keep this book and sales slip together in a handy place.

---

**Model Number**

---

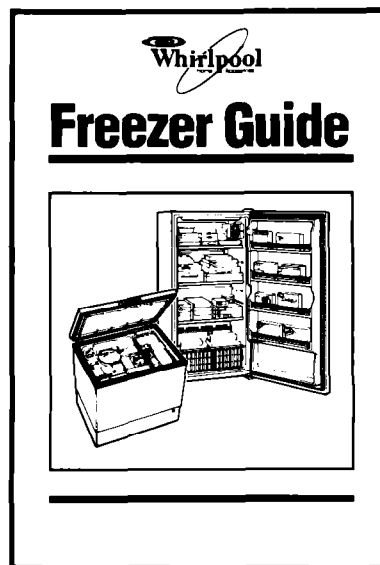
**Serial Number**

---

**Purchase Date**

---

**Service Company Phone Number**



**Whirlpool Freezer Guide for your freezer.**

The Whirlpool Freezer Guide is a companion book to this Freezer Use and Care Guide and is available free of charge. It contains information on freezing different kinds of foods, packaging, and food storage times. The Freezer Guide also has helpful hints for saving energy and solving common freezer problems.

To order the Freezer Guide, write to:

Whirlpool Corporation  
Attention: Customer Service Dept.  
1900 Whirlpool Drive  
LaPorte, IN 46305

and request the Whirlpool Freezer Guide, part number 1114865.

# Important Safety Instructions

## **⚠ WARNING**

To reduce the risk of fire, electrical shock, or injury when using your freezer, follow basic precautions including the following:

- Read all instructions before using the freezer.
- Child entrapment and suffocation are not problems of the past. Junked or abandoned freezers are still dangerous...even if they will "just sit in the garage a few days."  
If you are getting rid of your old freezer, do it safely. Please read the enclosed safety booklet from the Association of Home Appliance Manufacturers. Help prevent accidents.
- Never allow children to operate, play with, or crawl inside the freezer.
- Never clean freezer parts with flammable fluids. The fumes can create a fire hazard or explosion.

### • FOR YOUR SAFETY •

**DO NOT STORE OR USE GASOLINE OR OTHER FLAMMABLE VAPORS AND LIQUIDS IN THE VICINITY OF THIS OR ANY OTHER APPLIANCE. THE FUMES CAN CREATE A FIRE HAZARD OR EXPLOSION.**

### It is your responsibility to be sure your freezer:

- is installed and leveled on a floor that will hold the weight, and in an area suitable for its size and use.
- is connected only to the right kind of outlet, with the right electrical supply and grounding. (Refer to the Electrical Requirements and Grounding Instructions Sheet.)
- is used only to do what home freezers are designed to do.
- is not near an oven, radiator or other heat source.
- is properly maintained.
- is out of the weather.
- is used in an area where the temperature will not exceed 110°F (43.3°).
- is not used by anyone unable to operate it properly.
- is not loaded with food before it has time to get properly cold.

– SAVE THESE INSTRUCTIONS –

## Cleaning Your Freezer

This freezer should be cleaned before you use it. Also clean when frost has built up to about ¼ inch (6mm) thickness. Complete defrosting and cleaning should be done at least once a year. In high humidity areas, a freezer may need more frequent defrosting.

Use a sponge, cloth or paper towel and mild detergent in warm water to clean removable parts (trivet), outside of freezer, door liner and gasket. Rinse and then dry.

Waxing painted metal surfaces on outside of freezer provides rust protection.

**NOTE:** Do not use wax on plastic parts. Wax may damage them.

Wash the inside walls with a solution of 2 tablespoons (26 g) baking soda to 1 quart (.95 L) warm water. Rinse and then dry.

## **⚠ WARNING**

### Personal Injury Hazard

Watch out for sharp wire ends at top of condenser coils. They can cause injury or damage brush.

To clean condenser coils, use a vacuum cleaner with brush attachment. Slide freezer out away

from the wall. Clean dust and lint from condenser coils behind the freezer, every two or three months.

To clean a freezer needing defrosting, turn Temperature Control to OFF and unplug power cord. Place a shallow pan (sides no higher than 1 inch) on floor, centered under drain hole in bottom of freezer. Place pans of hot water inside freezer with door open to speed melting. Directing air from an electric fan into freezer will also help.

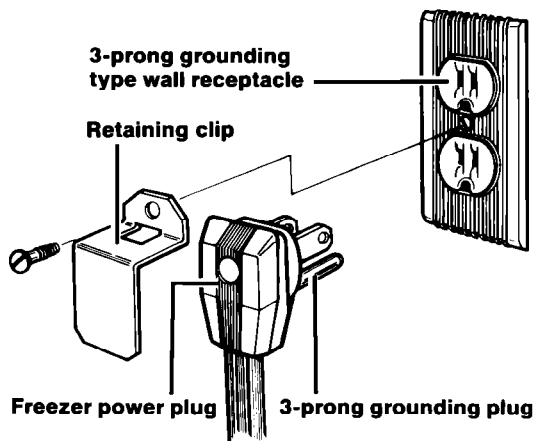
## **⚠ WARNING**

### Electrical Shock and Product Damage Hazard

- Do not place electrical devices in freezer. Shock or injury can occur.
- Do not use an ice pick, knife or other sharp-pointed tool to defrost freezer. Damage can occur.
- Do not use abrasive or harsh cleansers on your freezer. Do not use cleaning waxes, concentrated detergents, bleaches or cleansers containing petroleum on plastic parts. Damage can occur.

Use a plastic scraper to remove frost. Remove water from walls with towel or sponge. Wash, rinse and dry as above.

# Installing Your Freezer

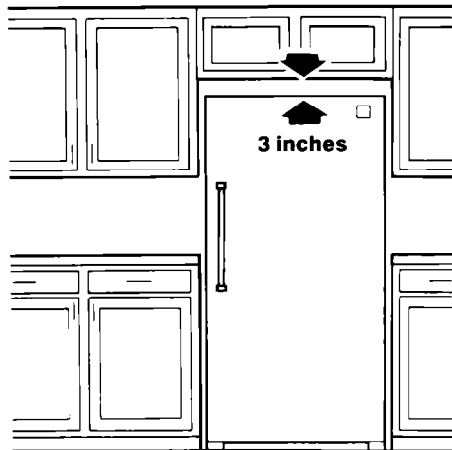


## 1. Plug it in

### Recommended Grounding Method

A 115 Volt, 60 Hz., AC only 15 or 20 ampere fused and properly grounded electrical supply is required. It is recommended that a separate circuit serving only this appliance be provided. Use a receptacle which cannot be turned off with a switch or pull chain. Do not use an extension cord.

Attach retaining clip, from literature pack inside the freezer, over power cord plug. See Electrical Requirements and Grounding Instruction Sheet in your Literature Package.



## 2. Install properly

1. Pick a safe place, indoors, away from flammables such as gasoline.
2. Check the strength of the floor. It should hold the weight of a fully loaded freezer.
3. Allow at least 3 inches (7.5 cm) air space on top of freezer and 1 inch (2.5 cm) at back. Allow ½ inch (1.25 cm) on each side of the freezer for ease of installation.
4. If the freezer is to be against a wall, you might want to leave extra space on the hinge side so the door can be opened wider.

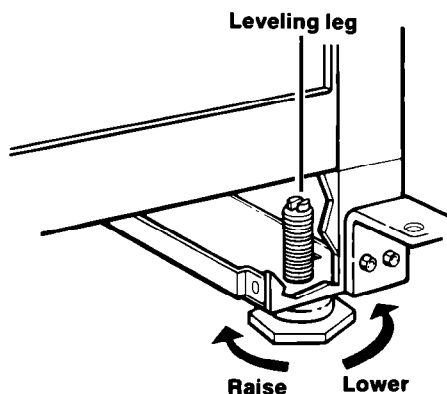
## 3. Level freezer

Level freezer so the door will stay open at any position.

1. Depending on model, freezer comes with either 4 bolts that hold freezer in shipping crate or 2 threaded leveling legs.

**NOTE:** The 2 threaded leveling legs are shipped in a separate package.

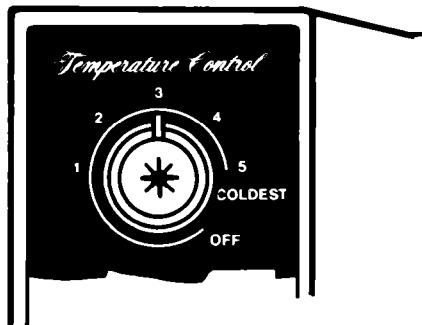
2. Screw 4 bolts all the way into bolt holes in the bottom corners of freezer. Screw 2 leveling legs all the way into bolt holes in the bottom front corners of freezer.
3. Slide freezer into place.
4. For models with 4 bolts, adjust each leg until the freezer won't rock.
5. Adjust front legs to level the freezer.
  - To raise corners, turn legs in direction shown.
  - To lower corners, turn legs in direction shown.
6. Check with level.
7. After freezer is fully loaded, recheck with level.



# Using Your Freezer

The drawings in this book may vary slightly from your freezer model. They are designed to show the different features of all the models covered by this book.

**NOTE:** Your model may not include all the features shown.



## Setting the temperature control

- Turn control to the middle of the dial. This setting is designed to maintain the temperature at or near 0°F (–17.8°C) under normal operating conditions.

## Adjusting the temperature control

- Turn control to higher number for colder temperatures.
- Turn to lower number for less cold temperatures.

## Cooling freezer first

1. Allow freezer to cool 6 to 8 hours before filling with **frozen food**.
2. Let it cool overnight before adding large amount of **unfrozen food**. Never add more than 2-3 pounds of unfrozen food per cubic foot of freezer size.

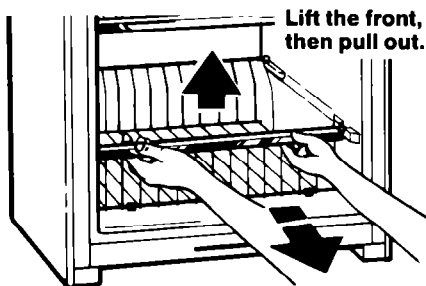
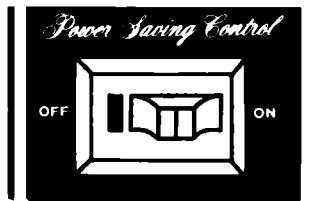
**NOTE:** When freezer is first started, the compressor will run constantly until the cabinet is cooled. It may take up to 6 to 8 hours or longer, depending on room temperature and the number of times the freezer door is opened.

After the cabinet is cooled, the compressor will turn on and off as needed to keep freezer at proper temperature.

## The power saving control

This control operates electric heaters. These heaters help prevent moisture from forming on the outside of the freezer when humidity is high.

1. Use the OFF setting when humidity is low.
2. Use the ON setting only if moisture forms on the outside of the freezer.



## The trivet

Store small packages in basket to avoid losing them in bottom of freezer.

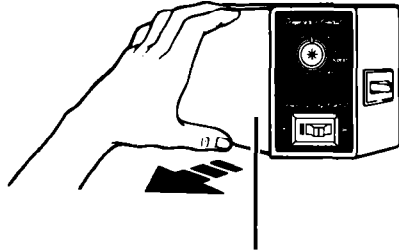
### To remove:

1. Lift front of trivet out of supports.
2. Pull out.

### To replace:

1. Position back of trivet on the rear wall supports.
2. Lower front into place.

## Using Your Freezer Continued



Light shield

### The interior light

#### **⚠ WARNING**

##### **Electrical Shock Hazard**

Before removing a light bulb, either unplug the freezer or disconnect the electricity leading to the freezer at the main power supply. Shock and injury can occur if electricity remains connected.

#### **To replace the light:**

1. Disconnect freezer from power supply.
2. Remove the light shield from the side of the control panel. Depress the back of the shield to release the tabs, then pull away.
3. Replace the bulb with a 40-watt appliance bulb.
4. Replace the light shield. Insert the shield tabs in the slots, then press the shield to snap into place.
5. Reconnect power supply.

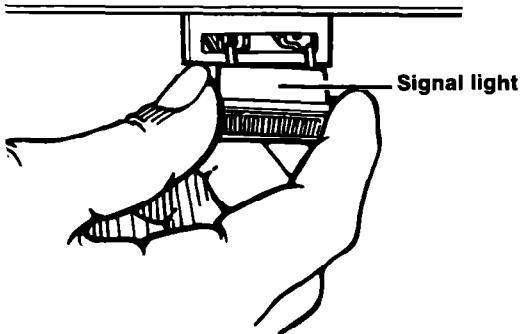
### The signal light

The signal light automatically warns of any unexpected power failure.

If the signal light is not glowing, immediately check for power interruption, an unplugged power cord or a burned out signal light.

#### **To replace signal light:**

1. Disconnect freezer from power supply.
2. Open the freezer door.
3. **Push out signal light from behind, then unplug burned out light. Replace with a new one. Signal light can be ordered from your Whirlpool dealer, Part No. 1103639.**
4. Close freezer door and reconnect power supply.



Signal light

# If You Need Service Or Assistance

## We suggest you follow these five steps:

### 1. Before calling for assistance...

Performance problems often result from little things you can find and fix yourself without tools of any kind.

#### If electricity goes off:

Learn how long power will be off by calling the power company.

- If service is to be interrupted 24 hours or less, keep freezer closed. Most food will stay frozen.
- If service is to be interrupted longer than 24 hours, do this:
  1. Remove all unfrozen food and store in a frozen food locker.  
OR...
  2. Place 2 lbs. (0.9 kg) of dry ice in freezer for every cu. ft. of freezer space. This will keep foods frozen for 2 to 4 days. Wear gloves to protect your hands from dry ice burns.
  3. If neither food locker storage or dry ice is available, use or can perishable food at once.
- The length of time food will stay frozen depends on several factors. For instance: a full freezer will remain cold longer than a freezer partially filled. And a freezer full of meat will stay cold longer than a freezer filled with baked goods. Also, if the food still contains ice crystals, it may be safely refrozen, although the quality and flavor may be affected. Use this food as soon as convenient. If the condition of the food is poor or is in any way questionable, it is wise to dispose of it.

#### If freezer stops running:

- Check to see if power cord is plugged into the outlet.
- Check fuse box or circuit breaker.
- Check electric company for a power failure.
- Be sure Temperature Control is turned ON.

#### If motor seems to run too long:

1. If large amounts of unfrozen food have been put into the freezer, motor will run longer.
2. On hot summer days or if room is hot, motor will run longer to provide correct amount of cooling.
3. Is the condenser free of dust and lint?
4. Check to see that there is enough air circulation space above and in back of the freezer.

### 2. If you need assistance\*...

Call Whirlpool COOL-LINE® service assistance telephone number. Dial free from anywhere in the U.S.:

**1-800-253-1301**

and talk with one of our trained consultants.

The consultant can instruct you in how to obtain satisfactory operation from your appliance or, if service is necessary, recommend a qualified service company in your area.

### 3. If you need service\*...



Whirlpool has a nationwide network of franchised TECH-CARE® Service Companies. TECH-CARE service technicians are trained to fulfill the product warranty and provide after-warranty service, anywhere in the United States. To locate TECH-CARE service in your area, call our COOL-LINE service assistance telephone number (see Step 2) or look in your telephone directory Yellow Pages under:

APPLIANCES - HOUSEHOLD -  
MAJOR - SERVICE & REPAIR

ELECTRICAL APPLIANCES -  
MAJOR - REPAIRING & PARTS

OR

WASHING MACHINES, DRYERS  
& IRONERS - SERVICING

WHIRLPOOL APPLIANCES  
FRANCHISED TECH-CARE SERVICE

SERVICE COMPANIES  
XY2 SERVICE CO  
123 MAPLE 999-9999

### 4. If you have a problem\*...

Call our COOL-LINE service assistance telephone number (see Step 2) and talk with one of our consultants, or if you prefer, write to:

Mr. Donald Skinner  
Director of Customer Relations  
Whirlpool Corporation  
2000 M-63  
Benton Harbor, MI 49022

Please include a daytime phone number in your correspondence.

### 5. If you need FSP® replacement parts\*...

FSP is a registered trademark of Whirlpool Corporation for quality parts. Look for this symbol of quality whenever you need a replacement part for your Whirlpool appliance. FSP replacement parts will fit right and work right, because they are made to the same exacting specifications used to build every new Whirlpool appliance.

To locate FSP replacement parts in your area, refer to Step 3 above or call the Whirlpool COOL-LINE service assistance number in Step 2.

\*If you must call or write, please provide: model number, serial number, date of purchase, and a complete description of the problem. This information is needed in order to better respond to your request for assistance.

# Whirlpool® Domestic Freezer Warranty

FZ002

LENGTH OF WARRANTY	WHIRLPOOL WILL PAY FOR
<b>FULL ONE YEAR WARRANTY</b> From Date of Purchase	FSP® replacement parts and repair labor to correct defects in materials or workmanship.
<b>FULL FIVE YEAR WARRANTY</b> From Date of Purchase	FSP® replacement parts and repair labor to correct defects in materials or workmanship in the sealed refrigeration system. These parts are: 1. Compressor 2. Evaporator 3. Condenser 4. Drier 5. Connecting tubing
<b>WHIRLPOOL WILL NOT PAY FOR</b>	
<p><b>A.</b> Service calls to:</p> <ol style="list-style-type: none"> <li>1. Correct the installation of the freezer.</li> <li>2. Instruct you how to use the freezer.</li> <li>3. Replace house fuses or correct house wiring or plumbing.</li> <li>4. Replace light bulbs or batteries.</li> </ol> <p><b>B.</b> Pick up and delivery. This product is designed to be repaired in the home.</p> <p><b>C.</b> Damage to freezer caused by accident, misuse, fire, flood, acts of God or use of products not approved by Whirlpool.</p> <p><b>D.</b> Food loss coverage for freezers used in commercial applications.</p>	

**Limited domestic food loss coverage.** See below for details on limited domestic food loss protection plan. Service under the full warranties must be provided by a franchised TECH-CARE® service company. WHIRLPOOL CORPORATION SHALL NOT BE LIABLE FOR INCIDENTAL OR CONSEQUENTIAL DAMAGES. Some states do not allow the exclusion or limitation of incidental or consequential damages so this limitation or exclusion may not apply to you. This warranty gives you specific legal rights, and you may also have other rights which vary from state to state.

Outside the United States, a different warranty may apply. For details, please contact your authorized Whirlpool distributor or military exchange.

## LIMITED DOMESTIC FOOD LOSS COVERAGE REIMBURSEMENT FOR FOOD LOSSES

During the first year of ownership, the Whirlpool Freezer warranty provides reimbursement as outlined below for food actually spoiled while stored in the freezer as a result of defects in materials or workmanship. During the second through fifth years of ownership, reimbursement will be made as outlined below for food actually spoiled while stored in the freezer as a result of a **FAILURE OF THE SEALED REFRIGERATION SYSTEM.**

Food spoilage losses must be verified by Whirlpool or a Whirlpool Franchised TECH-CARE® service company. Reimbursement of loss will be based on domestic use and freezer size up to the total cumulative amount shown for the 5 year warranty period.

9.9 cu. ft. or smaller . . . . .	up to \$ 75.00 maximum payment
10.0 cu. ft. to 16.0 cu. ft. . . . .	up to \$125.00 maximum payment
16.1 cu. ft. and larger . . . . .	up to \$200.00 maximum payment

The reimbursement amounts shown are representative for the contents of typical freezers by size and may or may not cover the actual replacement costs of the contents of your freezer. They are the maximum amounts, however, that will be paid and they are cumulative for the five year warranty period.

Sorry, but Whirlpool is not responsible for food losses caused by natural spoilage, misuse or negligent care of the freezer, or by accidental or intentional disconnecting of the electric power cord, power interruption, inadequate power, fire damage, water damage, theft, or riots, strikes, war or acts of God.

